

# Genie U

12/24/32

A single unit for Type I ultrapure and RO water from tap water

Two-in-one integrated system. Quality of ultrapure water meets or exceeds ASTM, CLSI, CAP, and ISO Type I water standards.

The system is manufactured in an ISO 9001 : 2015 certified manufacturing site.



## Features

- Wireless communication amongst components providing unlimited possibilities
- RFID tracking of consumables and RO membranes to ensure optimal system performance
- On-line TOC measurement based on complete oxidation methodology
- Stable RO permeability over a wide range of water temperatures
- A full range of cartridges for various applications including ultra-low TOC, low Mg, low boron, ICP and DI type
- Choices of final filters to remove specific contaminants
- Tank water level displayed from the continuous liquid level sensor of the storage tank
- Automatic system shut-off upon detection of any water leakage
- Optional tank circulation mode to keep the water quality stable in the tank

- Advanced wireless communication technologies offers more freedom than ever for a remote dispenser. Its distance from the system is no longer limited by the length of cables and wires.
- "1+N mode" - one water system can drive N units of dispenser (Up to 10 now and can be upgraded further more).
- Genie equips with multiple touch screens which are highly responsive, water-proof, latex glove friendly, and perfect for wet labs.
- Monitoring of consumables and accessories, through RFID technology, provides users with real-time operational intelligence.
- The ability to export and print data and log-in requirements are built into all of our Genie systems.
- Feed water conductivity monitoring ensures an optimal running conditions of the system.
- A RephiBio filter can be embraced to produce pyrogen, nuclease and bacteria free water for critical requirements.
- No tools are needed for system maintenance and simple service.

## Main Components



### Command and control center

- 8-inch touch screen allowing easy control and operation of the system
- Comfortable viewing and operation with built in viewing angle and flexible placement by users
- Operable with gloves and wet hands
- Robust screen: easy to clean, resistant to scratches

### Control Console



### Dispenser

### All-in-one touch screen

- Manual and volumetric dispensing, adjustable dispensing rate, and water quality monitoring
- Compact dispenser allowing one handed operation and control
- Operable with gloves and wet hands
- Height adjustable and 360 degree rotatable on an anti-skid base



### Cartridges

### Cartridges

- Improved stability of water quality & efficiency of polishing resins due to optimized flow design
- High pressure rated housings, proprietary sealing, and double o-ring designs ensuring operational confidence
- A worry-free installation with three verifications: color, words, and RFID recognition

**NEW**

**U**

## Specifications

Genie U	
<b>Feed Water Requirements</b>	
Feed water conductivity / TDS	< 2000 $\mu\text{S/cm}$ / < 1000 ppm
Operating temperature	5 - 45 $^{\circ}\text{C}$
Feed water pressure	1 - 6 $\text{kg/cm}^2$ (15 - 90 psi)
<b>Product Water Quality</b>	
RO water	
Flow rate	12, 24, 32 L/hr
Dispenser rate	0 - 2 L/min
Conductivity ( @ 25 $^{\circ}\text{C}$ )	Typically < 20 $\mu\text{S/cm}$ (feed water < 2000 $\mu\text{S/cm}$ )
Ultrapure water	
Dispenser rate	0 - 2 L/min
Resistivity ( @ 25 $^{\circ}\text{C}$ )	18.2 $\text{M}\Omega\cdot\text{cm}$
TOC*	< 5 ppb
Particles ( > 0.2 $\mu\text{m}$ )**	< 1/ml
Microorganisms**	< 0.1 cfu/ml
Pyrogens (endotoxins)***	< 0.001 Eu/ml
RNAse***	< 0.5 pg/ml
DNAse***	< 10 pg/ml
<b>Dimensions</b>	
Main system: Width x Depth x Height	32 cm x 44 cm x 54 cm
Dispenser: Width x Depth x Height	21 cm x 29 cm x 61 cm

\* when TOC level of feed water is < 50 ppb

\*\* with a 0.2  $\mu\text{m}$  final filter or RephiBio filter

\*\*\*with a RephiBio filter

## Ordering Info

Description	Cat. No.
Genie U 12 System	RGOP01200
Genie U 12 System, with TOC	RGOP012T0
Genie U 24 System	RGOP02400
Genie U 24 System, with TOC	RGOP024T0
Genie U 32 System	RGOP03200
Genie U 32 System, with TOC	RGOP032T0

## Main Applications

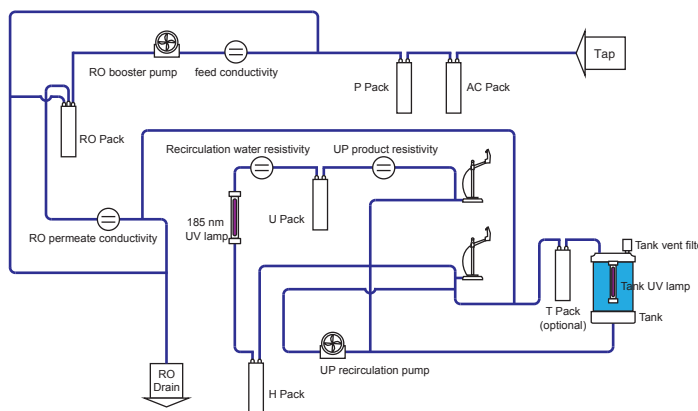
### With Ultrapure Water

- HPLC mobile phase preparation
- Preparation of reagent blank solutions
- As sample diluent for GC, HPLC, ICP-MS, AA and other analytical techniques
- Preparation of buffers and culture media for mammalian cell culture
- Preparation of molecular biology reagents, etc.

### With RO Water

- Glassware cleaning
- Washing machine for glassware
- Water bath water
- Autoclave
- Feed water for laboratory animals

## Flow Chart



All rights reserved © 2018 RephiLe Bioscience, Ltd.  
RephiLe and Genie are registered trademarks of RephiLe Bioscience, Ltd.. TM and (R) may be omitted in this brochure.

### RephiLe Bioscience, Ltd.

Toll Free: +1-855-RephiLe (+1-855-737-4453)

E-mail: info@rephile.com



Literature: RFPR1361809